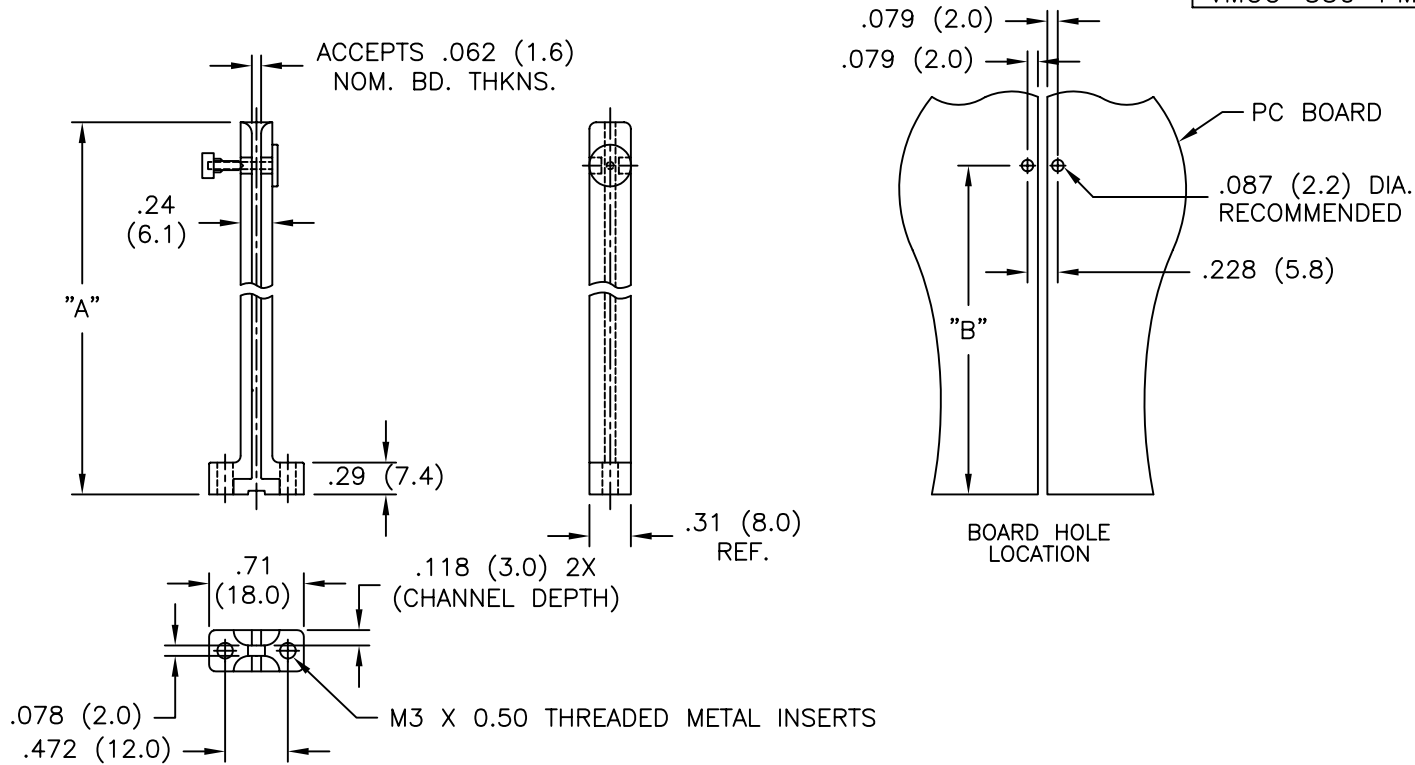


| PART NO.    | "A"          | "B"          |
|-------------|--------------|--------------|
| VMCG-50-PM  | 1.83 (46.5)  | 1.67 (42.3)  |
| VMCG-65-PM  | 2.56 (65.0)  | 2.22 (56.5)  |
| VMCG-90-PM  | 3.54 (90.0)  | 3.21 (81.5)  |
| VMCG-135-PM | 5.31 (135.0) | 4.98 (126.5) |
| VMCG-160-PM | 6.30 (160.0) | 4.43 (112.5) |
| VMCG-330-PM | 4.73 (120.1) | 4.43 (112.5) |



NOTES:

1. MATERIAL: NYLON 6, GLASS FILLED, (RMS-38)
2. 2. COLOR: GRAY.

|     |                                    |             |  |                               |              |                |           |            |
|-----|------------------------------------|-------------|--|-------------------------------|--------------|----------------|-----------|------------|
| G   | SEE ECN #873 FOR CHANGES           | SM 10.26.04 | TITLE: VERTICAL MOUNT CARD GUIDE, TYPE 1 |                               |              | DWG IN IN (MM) | FINAL     | PRINT TYPE |
| F   | SEE ECN #675 FOR CHANGES           | SM 07.25.03 |  |                               |              |                |           |            |
| E   | SEE ECN #669 FOR CHANGES           | SM 07.16.03 | TOLERANCES UNLESS NOTED                  | FILE # VMCG-1                 | DWN: P.B.    | APP:           | PART #    | CA         |
| D   | SEE ECN #625 FOR CHANGES           | SM 05.08.03 | .XX=±.010                                | MAT'L: SEE NOTES              | DT: 03-23-94 | DT:            |           |            |
| C   | DIM .71 (18.0) WAS .75 (19.0)      | SM 03.15.02 | .XXX=±.005                               | RE: RICHCO, INC.              | RICHCO INC.  |                | SEE TABLE |            |
| B   | UPDATED PRINT AND CHANGED FILE NO. | SM 10.09.01 | FRAC=±1/64                               | PO BOX 804238, CHICAGO, 60680 |              |                |           |            |
| A   | BOARD HOLE .087 WAS .067           | J.L. 6.1.98 | ANG=±1°                                  | (773) 539-4060                |              |                |           |            |
| REV | DESCRIPTION                        | ENGR DATE   |  |                               |              |                |           |            |